



129 Hotham Road, SORRENTO, 3943
Ph: 61 3 59 84 4333 Fax: 61 3 59 84 4570
Email: wbs@woodenboatshop.com.au
Web: www.woodenboatshop.com.au

ARCHITECTURAL



R I G G I N G

Less Balustrading - More View



Bring high quality workmanship to your project with WBS's 30- years of experience & expertise in the building, restoration and rigging of wooden boats. Our craftsmen are the best qualified for manufacture & installation of stainless steel balustrade rigging.

Utilising the aesthetic simplicity and nautical tradition of Australian made **RONSTAN** component's, you can be assured of the strength & durability that only stainless steel can give.

Why Stainless Steel? The need for materials with the characteristics of strength, corrosion resistance & long life has been recognised in the field of marine rigging. Increasingly, modern architecture is looking for solutions which offer the same qualities.

- C** • *Consult* - before planning
- D** • *Design* - the right system
- I** • *Install* - Builder / DIY or WBS custom installation

ARCHITECTURAL RIGGING

Wooden Boat Shop Makes Rigging Easy

We have taken the hard work out of selecting the right system. WBS after much testing has combined many desirable elements into a selection of 7 systems. On the Peninsula the proximity to salt-laden sea air causes inferior grade wire and fittings to surface rust and tarnish (called tea stain.) In some extreme exposure situations we have seen inferior balustrade systems badly corroded. In most systems we have standardised on Marine grade wire and fittings as opposed to Commodity grade stainless steel fittings.

AISI 316 Marine Grade Stainless Steel Wire is manufactured at one of the largest mills in the world ensuring a consistent, high quality standard. Investment in the best raw products and a superior technique of manufacture ultimately means a longer lasting product to you. This wire is also supplied by **RONSTAN**.

Specify WBS D I Y Pre-fabricated System

For a wooden balustrade to suit a WBS prefabricated system #1, the specifications would be:

- Drill termination posts to 6.5 @ approx 100 ¢, enlarge inner face to 8.5 to accept grommet
- Pre-drill 8.5 holes in all intermediate posts to suit the cable set-out
- Allow intermediate posts at approx 1200 ¢
- Order from WBS advising bearing point to bearing point distances between up-rights
- **D I Y** or have your builder install, tension the wires & install grommets easy!

Design

Design

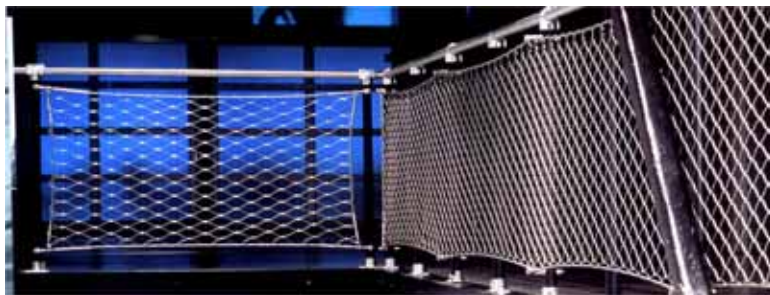
Design

The field of architectural rigging is exacting and precise, its success demanding the aggregation of knowledge and experience.



From Carl Stahl of Germany with X-Tend netting systems and the INOX-Line from Swiss Jakob we now bring European innovation and design excellence to your projects in an amazing 5 working days from ordering.

Please ask for details



Jakob



From Melbourne, **RONSTAN** supplies products born from 45 years of continual research, development and improvement, now being recognised as a world leader with products available in 55 countries.

RONSTAN

Microloc Balustrade Systems



WBS brings the world's leading quality component manufacturers together. With our experience of the marine environment and local knowledge we offer world's best products & unparalleled service.



How much will it cost ?

Horizontal



	<i>per run</i>		<i>per run</i>
1A	36.60	2C	39.30
1B	16.30	3A	27.00
2A	45.65	3B	16.85
2B	39.35	4	21.60

** plus cost of wire*

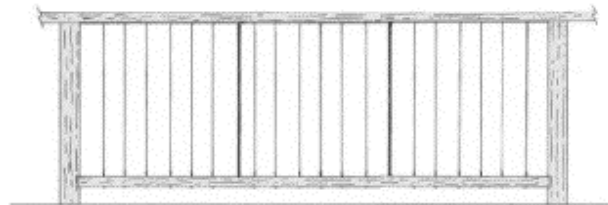
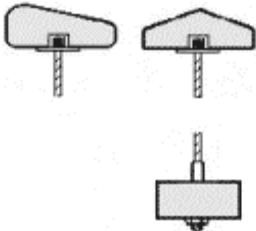
Vertical



WOOD

Uprights
Top Rail
Bottom Rail
Spacers
Cable
Fittings

95 x 95 @ 2.2 centres
120 x 45 – SS 316 grade 50 x 5 (screwed to underneath of top rail)
95 x 45 100 above deck
12.7 Ø 1.6 SS 316 grade tube @ 700 centres (maximum)
SS wire 1 x 19 3.0 mm 316 grade tensioned to 9ft/lb (1.25 kg/m)
RONSTAN talurit swage & Microloc threaded terminal w/ adjusting nut & washer



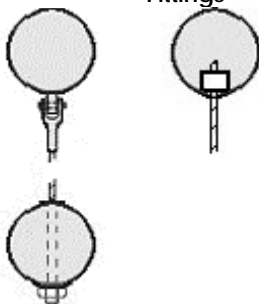
sys 6
16.30
*per vertical
plus wire*

*** Systems 5&6 may terminate @ the underside of the deck in leu of having a bottom rail**

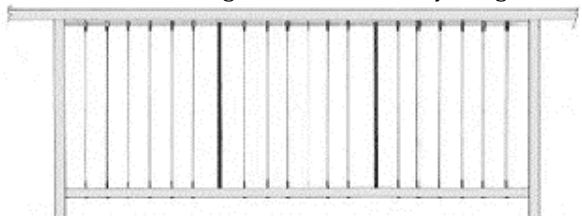
METAL

Uprights
Top Rail
Bottom Rail
Spacers
Cable
Fittings

50 Ø 1.6 SS 316 g Tube @ 2.2 centres
50 Ø 1.6 SS 316 g Tube with welded 15 x 4 bottom flange
50 Ø 1.6 SS 316 g Tube 100 above deck
12.7 Ø 1.6 SS 316 g Tube @ 700 centres (maximum)
SS wire 1 x 19 3.0 mm 316g tensioned to 9ft/lb (1.25 kg/m)
RONSTAN Microloc fork & threaded swage terminal w/ adjusting nut & washer



single swage
← allows for easy installation & clean un-cluttered looks
sys 7
11.45



sys 5
24.55
*per vertical
plus wire*

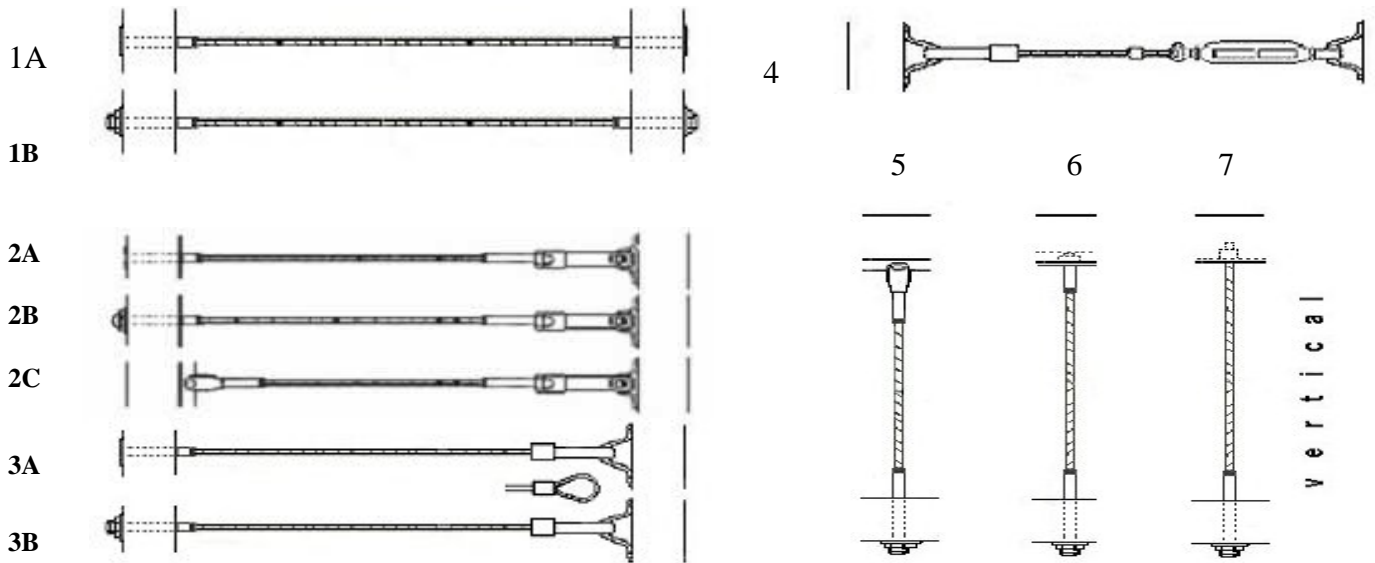
***Please refer to back page for full pricing and specifications**



129 Hotham Road
Sorrento VIC 3943

Tel: (03) 59 844 333
Fax: (03) 59 844 570

2007 ARCHITECTURAL RIGGING SYSTEMS PRICE LIST



*Systems 5 – 7 can be used horizontally

System	Microloc Threaded Swage Terminal RF3211-M0304 (78mm)	Mushroom Head Swage Terminal for 3mm wire RF3213-M03	Threaded Swage Adjuster RF5340	Nut & Washer 316 SS	Microloc Rigging Screw RF3200-04	Microloc Swage Forks RF3221M03	T/Buckle Commodity CS311-5E	Saddle RF134	Talurit Swage RF3172 Thimble RF482	Screws	Rivets	Per Run	Fab @ WBS
\$	5.15	4.60	11.70	0.80	16.65	17.50	5.72	3.50	1.85	0.35	0.60		
1A	2		2									33.70	38.70
1B	2			2								11.90	16.90
2A	2		1		1			1			2	43.35	48.35
2B	2	1			1			1			2	36.25	41.25
2C	1				1	1		For Welded Tabs				39.30	44.30
3A	1		1					1	1		2	23.40	28.40
3B	1			1				1	1		2	12.50	17.50
4							1	2	2	4		17.85	22.85
5	1			1		1		For Welded Tabs				23.45	28.45
6	2			2								11.90	16.90
7	1			1			1 Stopper & Washer 3/16 O.S. Swage only @ 80c				6.75	11.75	

Cable, SS Wire 3.0 mm Marine Grade 316 1 x 19 @ \$ 2.70 / metre

Droppers, required @ approx 1200 m ϕ Polished SS Tube 12.7 x 1.2 mm \$ 34.00 ea

Flat Bar 50 x 5 mm w/weld-tabs \$ 70.00 ea

Sleeves for wooden posts, SS 316 6.4 x 1.2 (ID 4.0) \$25.00

Top Rail SS for vertical systems, SS 316 50 x 5 \$48.00 /m

Bushes Nylon - Snap On (for prefabrication)

- PNP 54DS Silver
- PNP54DBLK Black @ 1.55 (requires hole 8.5 mm)

Bushes Nylon - Solid (site fabrication)

- PNP 54B White
- PNP54BBLK Black @1.30 (requires hole 8.5 mm)

Bevelled balustrade washers - (stairs)

- RF5351 SS @ \$6.95
- RF5352 SS @ \$6.95
- PNP240 BLK Nylon @ \$2.55